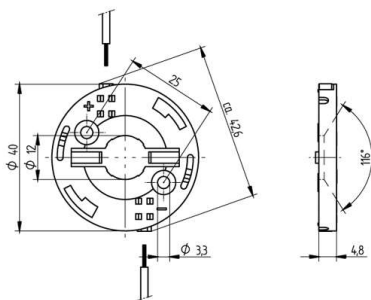


 Create pdf

BJB///OEM-Line

47.319.6060

Spotlight connectors and reflectors for COB LED modules

**pkg. wt. part no.**

504 3 g 47.319.6060.50

Connector for COBs

Suitable for the following LED models:

<u>Manufacturer</u>	<u>LED model</u>
Bridgelux	V10 - Gen. 7
Citizen	CL-L020/022/150
Citizen	CLU024/U025/U026
Citizen	CL-U730 / CL-U731
Edison	Opto 9W
Everlight	Xuan1313
Itswell	COB-B series
Liteon	M082
Luminus	CXM09AC00
Prolight Opto	PACB 032/PACF 57
Samsung	LC003D / 6D / 9D / 13D
Seoul Semiconductor	ZC6
Sunpu	G16
Vossloh-Schwabe	DMC 122




Approval: additional cULus

With integrated reflector interface
Easy pre-assembly by LED fixing lugs
 Screw fixing

Housing: PBT
 Contacts: CuSn

Rating: 3A / 150 VDC

- Screw fixing: for screws M3 and locking washer
- Max. torque for screw fixing 0.5 Nm
- Strip length: 7-1 mm
- Polarity of LED must be observed
- Specifications of LED manufacturer must be observed
- VDE-Reg. No. E289

LED-G-LINE	T 110		 0.5 mm ²	 0.5 mm ²
------------	-------	-----------------------------------------------------------------------------------	----------------------------------------------------------------------------------------------------------	----------------------------------------------------------------------------------------------------------

Document generated on: Th, 2. February 2017 - 17:10